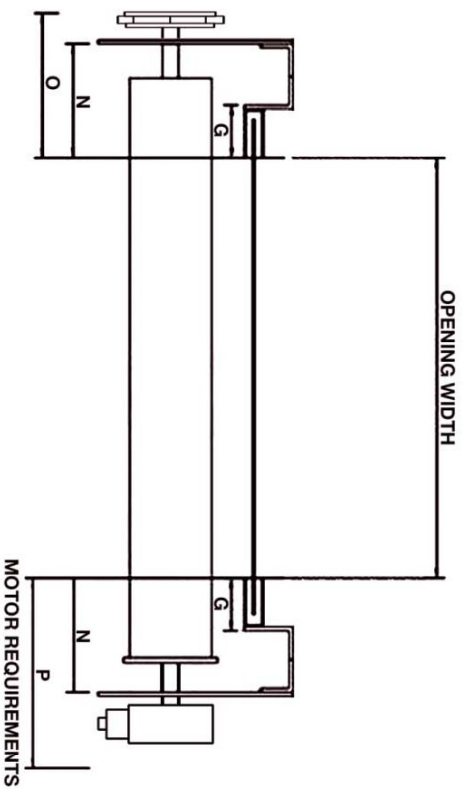


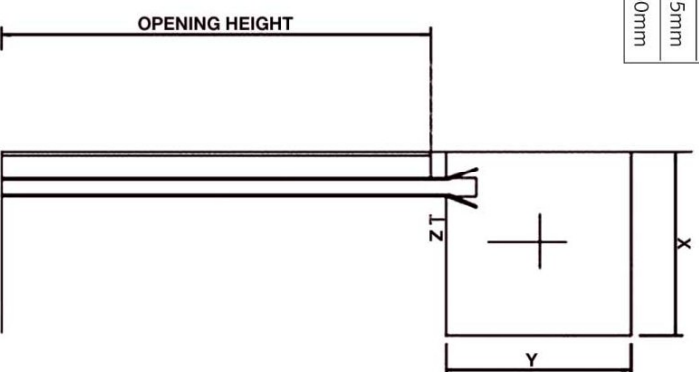
roller shutter doors - safe drive



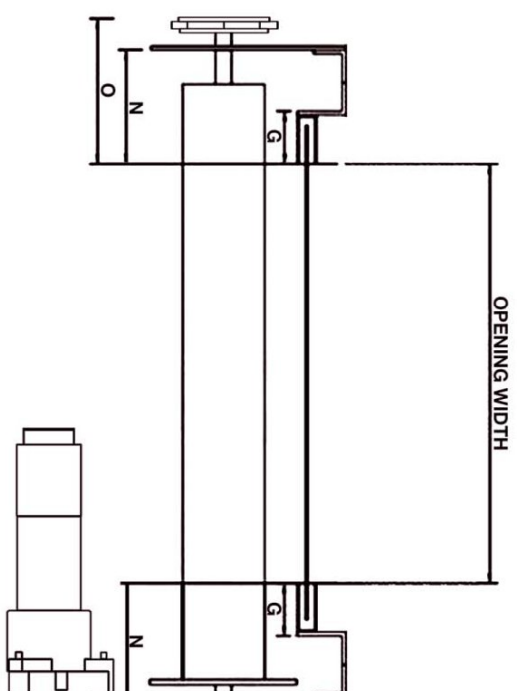
Opening Height	Side Room Required			
	G (Guide)	N	P	O
1500mm - 4500mm	75mm	155mm	380mm	215mm
4600mm - 7500mm	100mm	190mm	495mm	250mm

Opening Height	Coil Dimensions		
	X	Y	Z
Up to 3900mm	405mm	405mm	50mm(min)
4000mm - 4900mm	450mm	450mm	50mm(min)
5000mm - 6500mm	505mm	505mm	50mm(min)

For any other size requirements, please contact our technical department.



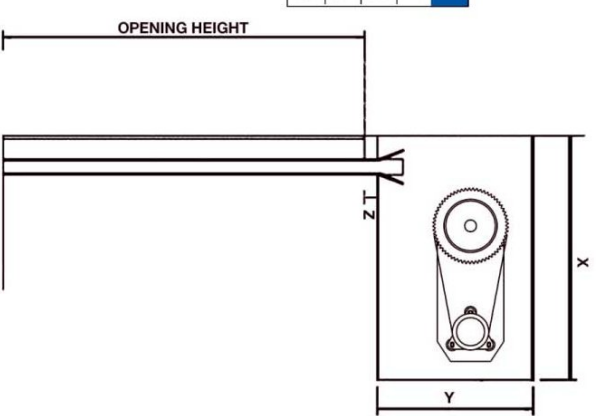
roller shutter doors - jm unsprung



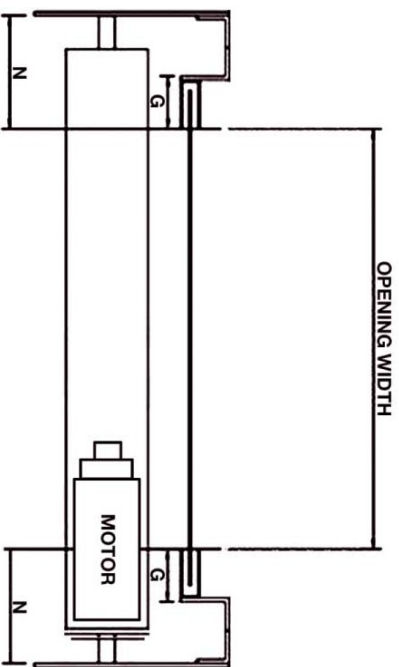
Opening Height	Side Room Required		
	G (Guide)	N	O
1500mm - 4500mm	75mm	155mm	215mm
4600mm - 7500mm	100mm	190mm	250mm

Opening Height	Coil Dimensions		
	X	Y	Z
Up to 3900mm	605mm	405mm	50mm(min)
4000mm - 4900mm	605mm	450mm	50mm(min)
5000mm - 6500mm	605mm	505mm	50mm(min)

For any other size requirements, please contact our technical department.



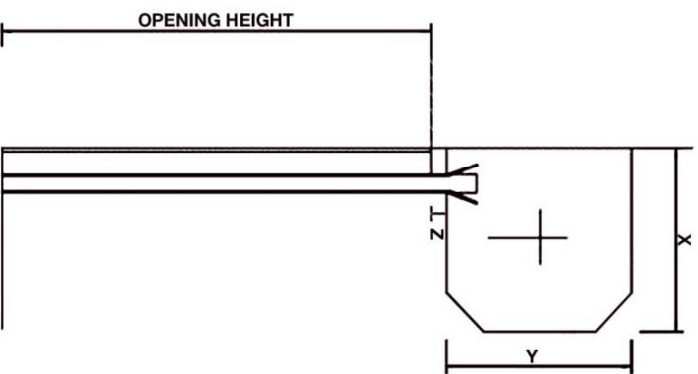
roller shutter doors - tube motor



Opening Height	Side Room Required	G (Guide)	N
1500mm - 4500mm	75mm	155mm	
4600mm - 7500mm	100mm	190mm	

Opening Height	Coil Dimensions		
	X	Y	Z
Up to 2500mm	250mm	250mm	50mm(min)
2600mm - 3300mm	300mm	300mm	50mm(min)
3400mm - 4500mm	350mm	350mm	50mm(min)
4600mm - 6000mm	400mm	400mm	50mm(min)

For any other size requirements, please contact our technical department.



roller shutter doors



specification

Curtain

Shutter curtains are constructed from continuously interlocking galvanised steel laths (perforated lath available), securely held in place by end locks. Bottom rails are generally galvanised and roll-formed into a tee section.

Guides

Vertical guides are formed from rolled steel and supplied with fixing angles suitable for securing to the structure.

Endplates

Prime painted mild steel of appropriate thickness relative to door size and supplied with fixing angles suitable for securing to the structure.

Barrel

The barrel is constructed from seamless steel tube of adequate diameter to resist deflection and held in bearings or cups attached to the endplates.

Finish

Generally galvanised with non-galvanised parts prime painted. Steel laths available in:

- HP200 Plastisol finish in a range of colours
- Polyester powder coated in a range of BS/RAL colours to give a durable finish

Chain Operation

By means of continuous hand chain.

Electrical Operation

Operated by means of:

- 415V 3 phase Safe Drive Motor Unit with adjustable limit switches incorporated to stop the shutter at the end of each travel.
- 415V 3 phase/240V single phase JM Motor Unit with adjustable limit switches incorporated to stop the shutter at the end of each travel.
- 240V single phase Tube Motor Unit with adjustable limit switches incorporated to stop the shutter at the end of each travel.

Control Options

- Low level open/close/stop buttons
- Key switch
- Card Reader
- Induction Loop
- Radar (Motion Sensor)
- Radio Remote Control
- Timed automatic closing

Maintenance

All our products are manufactured to a very high specification. However planned maintenance can ensure trouble free operation.

Our Service Department can advise on a suitable maintenance agreement.