

930 NSF

single leaf, double leaf
continuous duty



■ Design enters architecture

Quiet elegance and compact size enable FAAC 930 NSF to adapt to any architectural environment even if space is at a premium. The NSF series is highly versatile, adapting to single leaf sliding doors with maximum weight of 120 kg, or to double leaf with maximum weight of 80 kg per leaf. By installing a FAAC 930 automatic system, you save a lot on energy costs, in terms of controlling the climate of the accessed room, in addition to fully "removing" architectural barriers.

■ Ever sliding reliability

Built to operate at its best at all times and in any place, the 930 NSF range is automatically reliable, without any use frequency limits. In the event of a power-cut, operation is assured 100% for thirty minutes by an optional buffer battery with controlled recharging.

■ Excellent logic, real-time

Intelligent control: a microprocessor checks all door activities in real-time.

The function logic can be selected by using a selector switch integrated in the automatic system.

■ Absolute safety

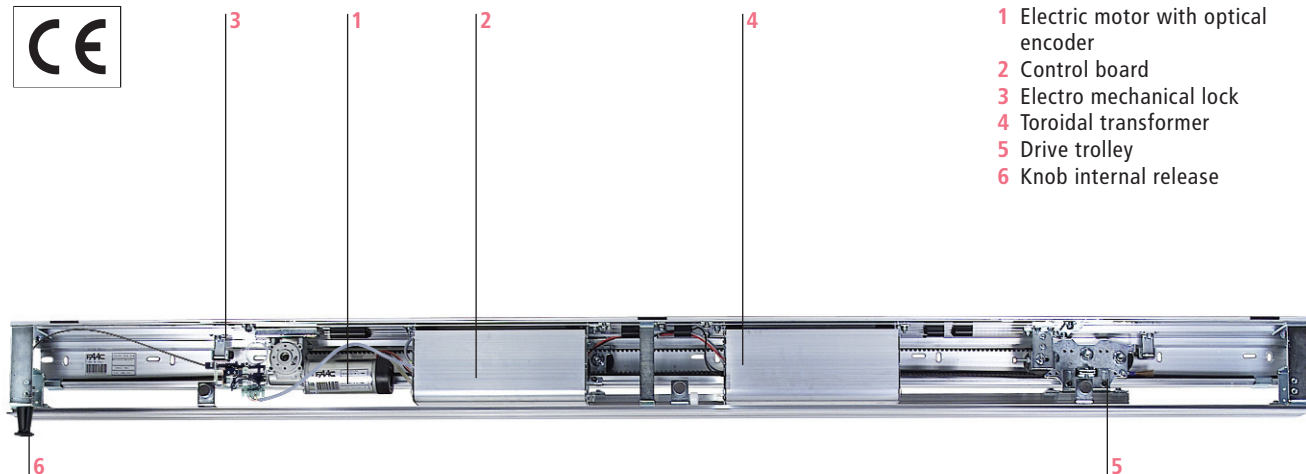
In compliance with international safety regulations, the SF series automatically programmes opening/closing force and speed, according to door friction and weight. If there is an obstacle, the door re-opens immediately and, when it closes next, it checks at low speed if the obstacle has been cleared.



■ SD Keeper
function keyboard

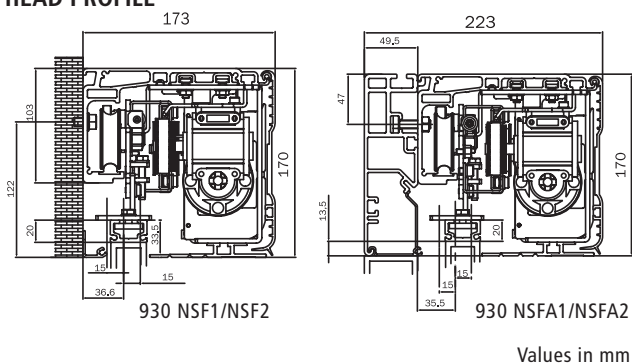


■ SD Keeper function
keyboard plus
programming display



- 1 Electric motor with optical encoder
- 2 Control board
- 3 Electro mechanical lock
- 4 Toroidal transformer
- 5 Drive trolley
- 6 Knob internal release

HEAD PROFILE



Technical specifications	930 NSF
Power supply	230 Vac (+6% -10%) 50 (60) Hz
Absorbed power	100 W
Use frequency	100%
Drive unit	24 Vdc motor with encoder
Head profile length LT	VP x 2 + 100 mm
Drive	electro conductive toothed belt
Opening/closing speed	adjustable (two leaves) 20÷180 cm/s
Emergency opening/closing speed	adjustable
Pause times	adjustable from 0 to 30 s
Static force	150 N (self learning adjustment)
Partial opening	adjustable (two leaves) from 20 cm to total
Anti-crush device	standard
Photocells fail safe	standard (can be disabled)
Protection class	IP 23 (for indoor use only)
Operating ambient temperature	-20°C ÷ +55°C

PROGRAMMING DISPLAY

Main functions

Access password insertion	Opening speed adjustment
Closing speed adjustment	Anti-crush adjustment
Pause time adjustment	Anti-crush function management
Diagnostic visualisation	Weekly calendar management
Interlock management with or w/o memory	
Operating functions selection with battery in use	
Output configuration (3 outputs) on 930 SDM control board	
Emergency input configuration (2 inputs) on 930 SDM control board	
Timer function by mean of back-up battery	
Cycle counter visualization	
Daily time bands (5) management	

SD KEEPER FUNCTIONS KEYBOARD (standard)

Available programs

Manual	Open
Automatic	Partial opening
One way	Night
Reset	
Self-diagnosis by mean of leds	
Operation inhibition by wire link or push buttons combination	
Provision for programming display connection	

Accessories

Miniswitch GLS photocell
Passive infrared sensor
Microwave radar
T20/T21 key-operated push-buttons, wall and flush mounting, with emergency release devices
Leaf securing profiles for glass
Electro-mechanical lock with internal release device
Padlock surveillance with possibility of visual or acoustic signal in case of malfunction
Emergency batteries with recharging card. Guarantee a 30 minute range of continuous duty

Automatic adjustments

Open and closed positions recognition
Measurement of leaves weights and friction
Selection of optimal speed, acceleration and deceleration
Photocell test
Anti-crush safety device operating at 150 N

Model	Use			
	Leaf	Transit space (mm)	Leaf max weight (kg)	Self-supporting
930 NSF1	single	700÷3000	120	NO
930 NSF2	double	800÷3000	80+80	NO
930 NSFA1	single	700÷3000	120	YES (max 3000)
930 NSFA2	double	800÷3000	80+80	YES (max 3000)